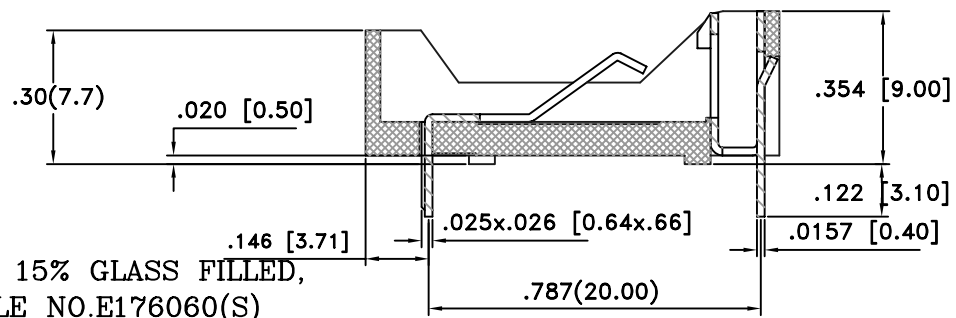
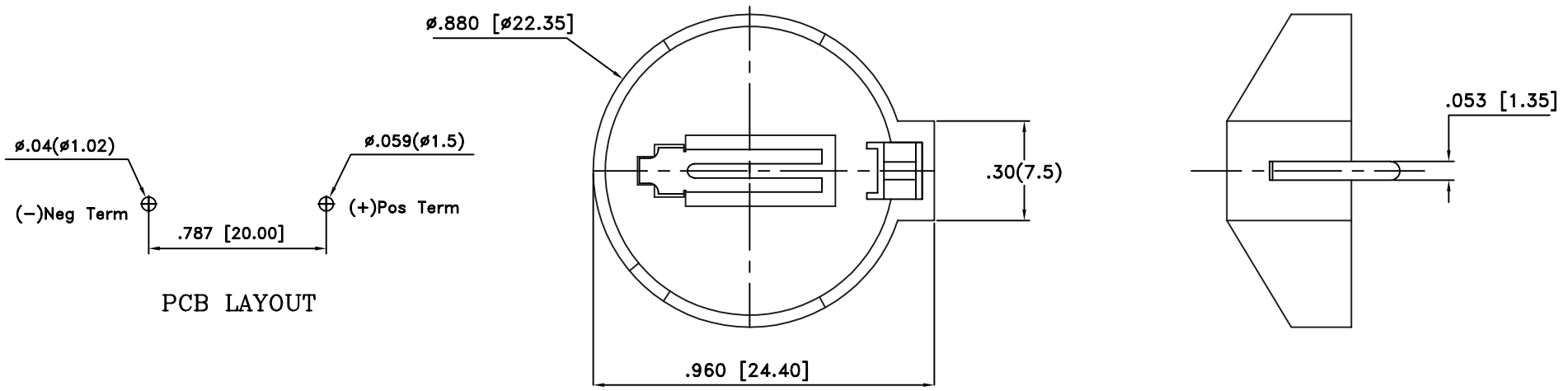



Date	SYM	REVISION RECORD	AUTH	DR.	CK.
11/01/03	A	ADDED DIMENSION .146(3.71)	T.B.	B.S.	
04/09/05	B	REMOVED Sn-Pb FROM MATERIAL NOTE	T.B.	B.S.	
10/22/05	C	ADDED "ROHS COMPLIANT"	T.B.	B.S.	



MATERIAL
 BODY: FR-NYLON WITH 15% GLASS FILLED,
 UL94V-0, UL FILE NO.E176060(S)
 CONTACT: PHOSPHOR BRONZE

FINISH
 CONTACT: NICKEL PLATED OVERALL WITH LEAD FREE
 SOLDER DIPPED TAILS

SPECIFICATIONS
 APPLICATION FOR 3V LITHIUM BATTERY, CR2032 OR BR2032
 INSULTOR RESISTANCE: 5000 MΩ MIN.
 OPERATION TEMPERATURE: -55°C TO +105°C
 DURABILITY: 50 CYCLES MIN
 CONTACT RESISTANCE: 30 MΩ MAX
 ROHS COMPLIANT

Tolerance (Except as noted)		Memory protection Devices, Inc	
		200 Broad Hollow Road, Farmingdale, New York 11735	
decimal ±.5 (.020)	Scale 4=1	Drawn By T.S.	
		Approved By T.B.	
Fractional ± .8 (.030)	Title CR2032 BATTERY HOLDER WITH EASY RELEASE CLIP		
	Date 10/22/05	Drawing Number BS-7	